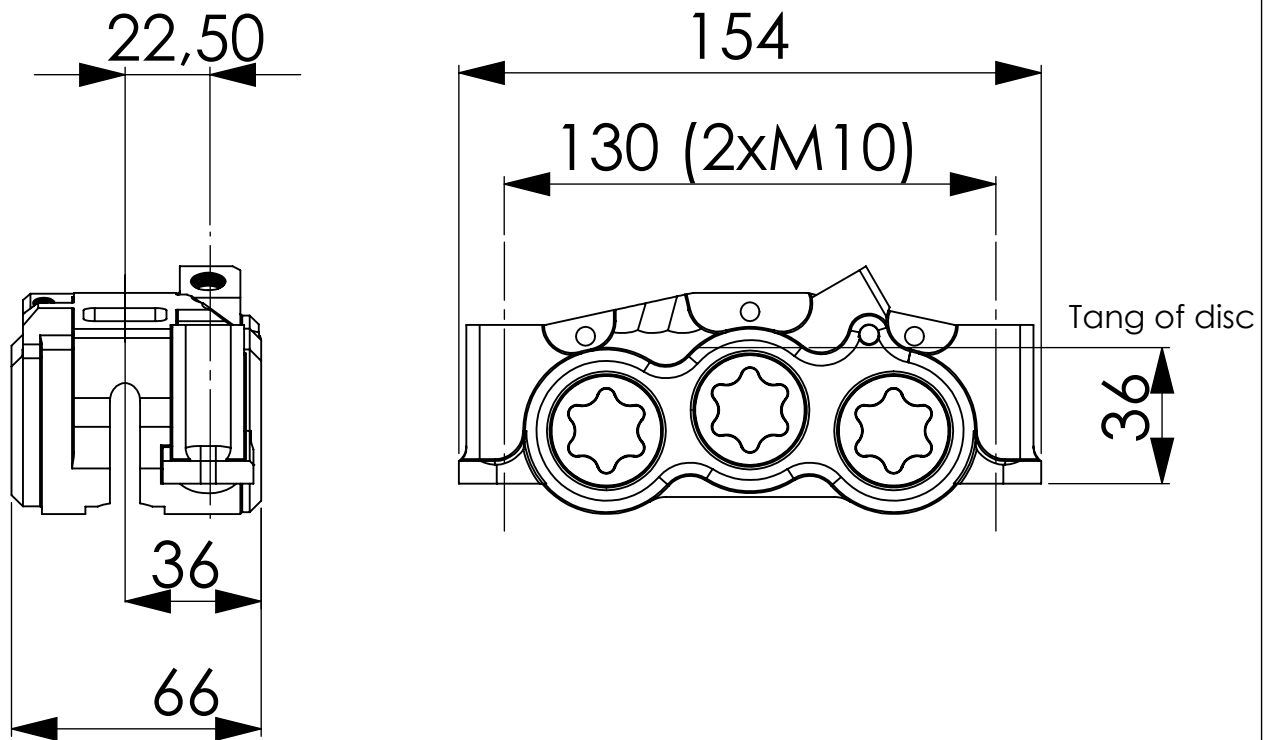


ISR

PART NUMBER : 22-052-OA (RH)
22-052-OB (LH)

22-052-□A



Technical data:

Cylinder diameter:	30mm (x6)
Piston material:	Tufram coated aluminium alloy
Pad type:	ISR 29-001 (x6)
Pad area:	31.8cm ²
Swept height of disc	33mm
Disc size:	310-320
Disc Thickness:	4.6-5.0mm
Hydraulic thread:	M10x1.25
Weight incl. pads:	0.95kg
Surface finish:	Clear anodised
Included:	1 set of pads, banjo bolt and washers